

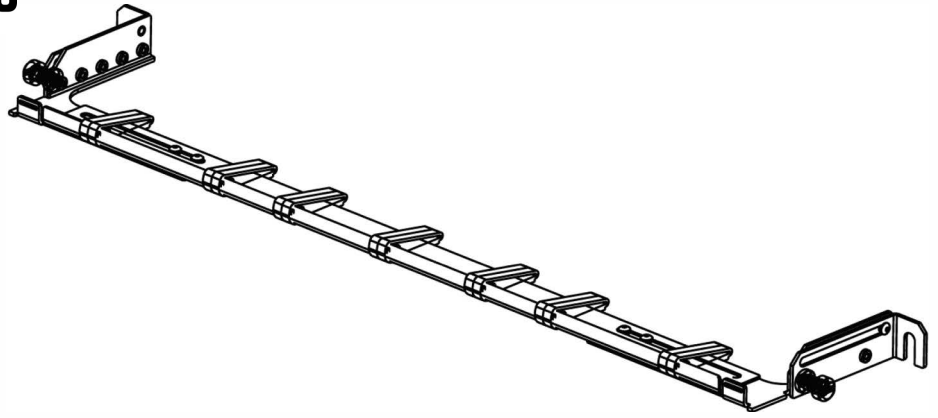
## E-Z Route

Horizontal Cable Management

0 RU- Space

Fits all Relay Racks and Cabinets

Fits any equipment



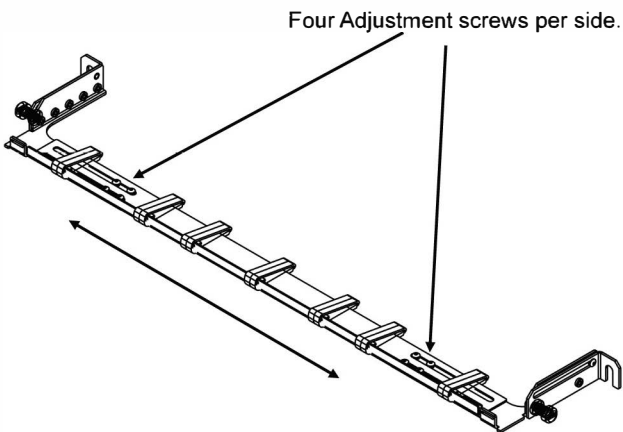
### CAUTION

**CAUTION! This product must be installed and maintained only by qualified technicians.**

## E-Z ROUTE INSTALLATION

1. Determine the relay rack or cabinet width 19", 23", ETSI". E-Z Route will fit any size equipment rack.

LOOSEN ADJUSTMENT SCREW BY 1/2 TURN ONLY.  
Adjust E-Z Route to desired width and retighten screws.

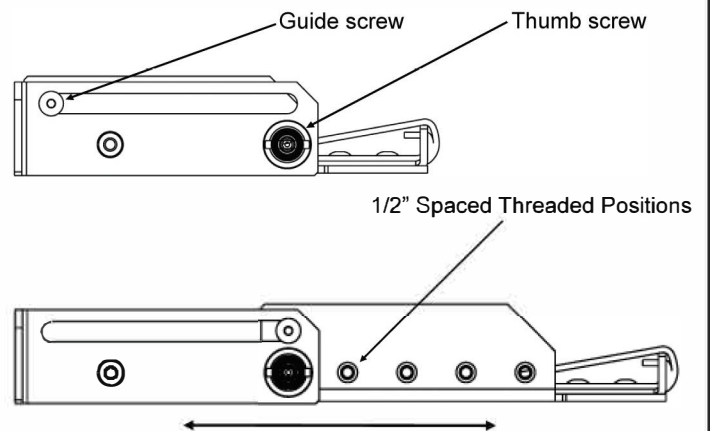


2. Determine equipment projection from face of relay rack or cabinet.  
(NOTE: The E-Z Route will Extend up to 6" out from the face of any relay rack without optional extension bracket, if the optional extension bracket is utilized it will increase extension up to 12".)

In fully closed position the front projection is 3.5", which will fit any standard flush mounted equipment. The E-Z Route can be adjusted as needed in 1/2" increments. Adjustments can be made up to 6" with out optional extension bracket and up to 12" with the extension bracket. Front edge of the E-Z Route will maintain 3.5" of clearance between front facing edge of E-Z Route to equipment face to protect and maintain Fiber Optic cable and bend radius.

To adjust forward projection of E-Z Route

- Loosen guide screw 1/2 turn
- Loosen captured thumb screw all the way until it fully disengages.
- Adjust bracket inwards or outwards depending on situation.
- After desired position is obtained, re-engage captured thumb screw and hand tighten.



3. Install E-Z Route. After all adjustments have been made in steps 1 & 2, loosen bottom equipment bracket screws. You only need to loosen the bottom equipment bracket screws (one on each side of the equipment) to allow the E-Z Route bracket slot to slip behind the heads of the equipment bracket screws.