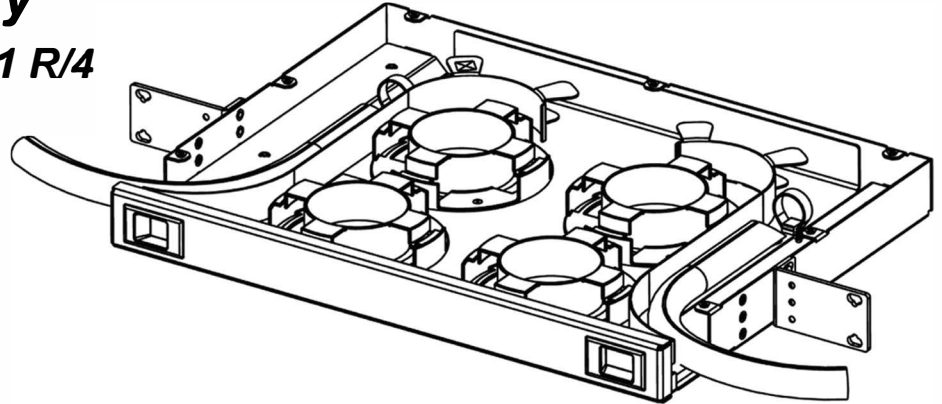


## Ultra High-Density 1-RU Fiber Storage Tray

19" or 23" Tray, Model FBRTR-1 R/4

ETSI Compatible



### CAUTION

**CAUTION!** This product must be installed and maintained only by qualified technicians.

### INTRODUCTION

BRITE FIBER Ultra High-Density 1-RU Fiber Storage Tray can store up to 48 strands of 3-mm cable (24 per side).

Installation involves mounting this storage tray into a 19", 23" or ETSI Relay Rack or Cabinet.

The tray includes one set of universal brackets for simple installation.

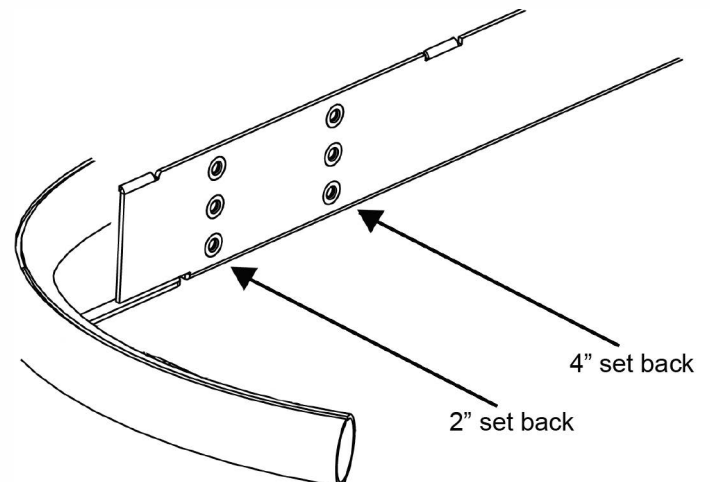
Fiber cables may be routed through the tray, or in and out on the same side of the tray.

### INSTALLATION TOOLS

- Phillips screwdriver
- Scissors to trim split tubing to length

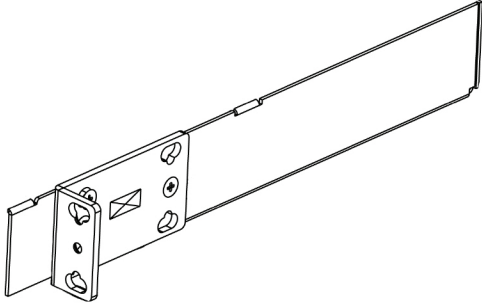
### TRAY INSTALLATION

1. Determine the relay rack set back of the tray. The tray can be installed with either a 2" or 4" set back into the relay rack.

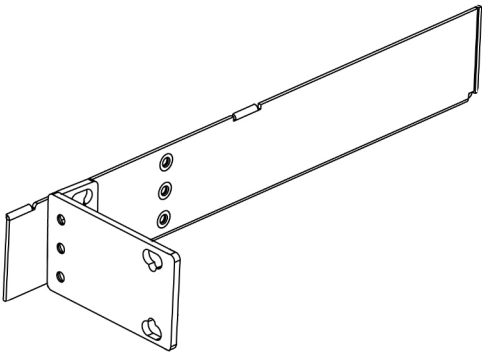


2. Determine whether you are installing the tray into a 19" or 23" relay rack and install the universal mounting brackets accordingly.

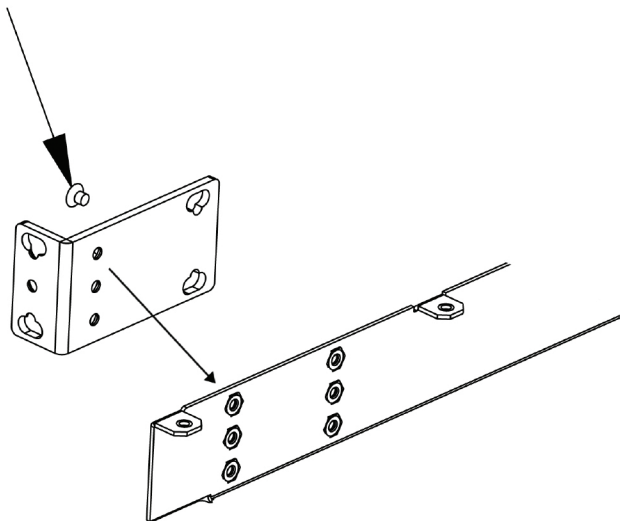
Short side out for 19" RR



Long side out for 23" RR



3. After orienting the bracket, screw the brackets to the side of the chassis using 3 screws.



4. The tray has extra long split tubing that can be trimmed to your installation length. After securing the tray to the rack, determine how you would like to "dress" your fiber cords. The tubing may be trimmed at any length from 0 inches to 8 inches, with 0 being trimmed even with the edge of the tray opening.

**CAUTION!**

The split tubing should only be trimmed with the tray in the fully closed position. Failure to do so may result in the split tubing being cut to short for the tray to operate.

See Fig. 1

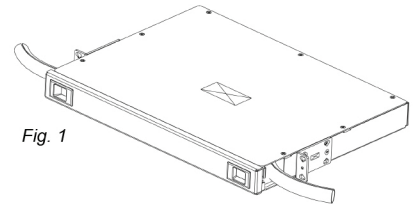
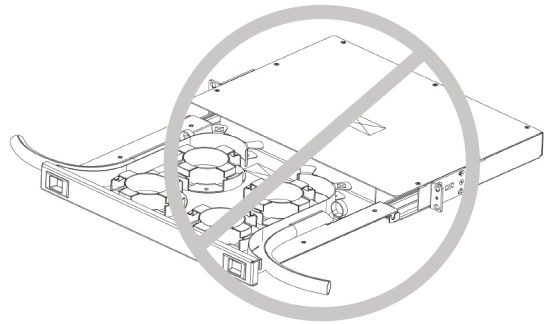


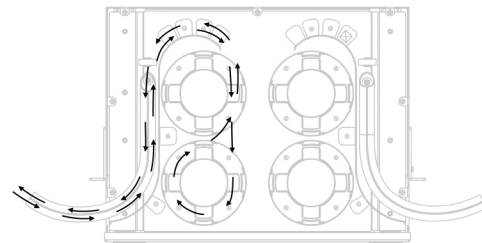
Fig. 1



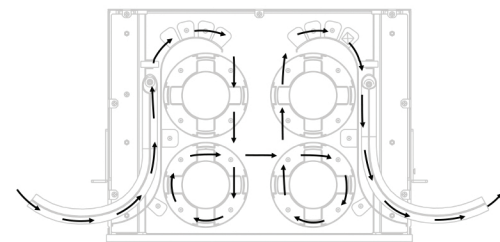
**FIBER ROUTING**

The tray can handle up to 24, 3mm discrete cables per side (48 total) and can store 170 ft.(51.8 meters) of 3mm slack at its maximum.

If using 1.5mm fiber cable, the tray can handle 48 fiber cables per side (96 total) and store 340 ft. (103.6 meters) of slack at its maximum.



Same side in/out



Through